

CHARACTER:

1. Physical performance

- a、Excellent mechanical properties
- b、Excellent thermal stability
- c、Low temperature soft good performance
- d、Good flame retardancy
- e、Of high resistance to chemicals
- f、Chemistry stability is good
- b、Good resistance to high temperature of the engine fluid
- j、Excellent resistance to impact ability

2. Electrical Properties

- a、Electrical insulation good
- b、Good the dielectric properties

3. Processing properties

- a、Using the hot extrusion processing
- b、Can be twisted pair and multi-core
- c、Good processing properties Harness
- d、Harness processing process good compatibility
- e、According to VDE standard design

4. Environmental protection

- a、ROHS/REACH compliant

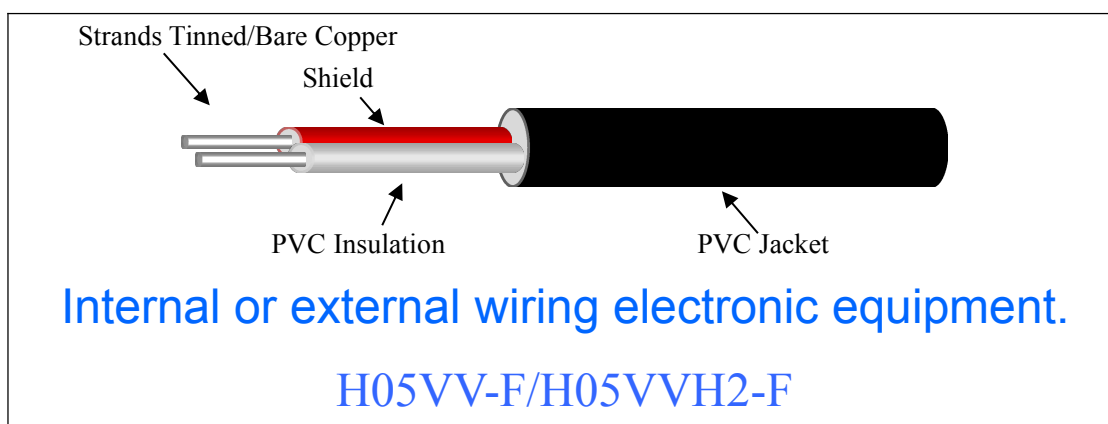
SHOULD BE USED:

For installation inside the device and lighting, drying chamber, production equipment, distribution boards, protective pipe auxiliary equipment.

REFERENCE:

HD 21.5 S3:1994

Outline:



Wire structure description:
 Conductor: Tinned /Bare copper ;
 Insulation materials: PVC Insulation
 Jacket materials: PVC jacket

Electrical equipment with a soft inner conductor temperature of 70 °C PVC insulated cables H05VV-F/H05VVH2-F
 Rated temperature: 70 °C Rated voltage: 300/500V

STYLE	Size MM ²	Conductor structure (mm)	Conductor resistance 20°C (Ω/Km)	Conduct or diameter r(mm)	Insulation thickness Nom. (mm)	Sheath thickness s Nom (mm)	Overall Diameter(mm)	
							MIN	MON
H05VV-F/H05VVH2-F	2×0.75	30/0.18	26.70	1.15	0.60	0.80	5.7or 3.7×6.0	7.2or 4.5×7.2
	2×1	40/0.18	20.0	1.35	0.60	0.80	5.9or 3.9×6.2	7.5or 4.7×7.5
	2×1.5	30/0.25	13.70	1.60	0.70	0.80	6.8	8.6
	2×2.5	50/0.25	8.21	2.10	0.80	1.00	8.4	10.6
	2×4	56/0.30	5.09	2.65	0.80	1.10	9.7	12.1
	3×0.75	30/0.18	26.70	1.15	0.60	0.80	6.0	7.6
	3×1	40/0.18	20.0	1.35	0.60	0.80	6.3	8.0
	3×1.5	30/0.25	13.70	1.60	0.70	0.90	7.4	9.4
	3×2.5	50/0.25	8.21	2.10	0.80	1.10	9.2	11.4
	3×4	56/0.30	5.09	2.65	0.80	1.20	10.5	13.1
	4×0.75	30/0.18	26.70	1.15	0.60	0.80	5.6	8.3
	4×1	40/0.18	20.0	1.35	0.60	0.90	7.1	9.0
	4×1.5	30/0.25	13.70	1.60	0.70	1.0	8.4	10.5
	4×2.5	50/0.25	8.21	2.10	0.80	1.1	10.1	12.5
	4×4	56/0.30	5.09	2.65	0.80	1.20	11.5	14.3
	5×0.75	30/0.18	26.70	1.15	0.60	0.90	7.4	9.3
	5×1	40/0.18	20.0	1.35	0.60	0.90	7.8	9.8
	5×1.5	30/0.25	13.70	1.60	0.70	1.10	9.3	11.5
	5×2.5	50/0.25	8.21	2.10	0.80	1.20	11.2	13.9
	5×4	56/0.30	5.09	2.65	0.80	1.40	13.0	16.1

Note 1:1) Round Cable: insulated conductors must be twisted together; 2) flat cable: insulated conductors must be arranged in parallel
 Note 2: H2 represents an inalienable flat cable construction.
 Note 3: H05VV-F indicates round cables.

Marking: NO

SAE COLOR SERIES

* STOCK COLOR CHART				
00-BLACK	01-WHITE	02-RED	03-YELLOW	04-GREEN
05-BLUE	06-BROWN	07-GREY	08-ORANGE	09- VIOLET

PACKAGE

*PACKAGE				
Part No.	Packing- Ft/roll			3F
2~3	□ 152.5M	□ 305M	■ 610M	
4-5	□ 152.5M	■ 305M	□ 610M	

According to customer requirements for packaging packaging